

**EJW EAST JORDAN**  
IRON WORKS EST. 1983

800-626-4653  
www.ejiw.com  
MADE IN USA

PRODUCT NUMBER  
**NCR08-2201D**

CATALOG NUMBER  
**1890A2GS**

**COVER**

LOAD RATING  
**HEAVY DUTY**

COATING  
**UNDIPPED**

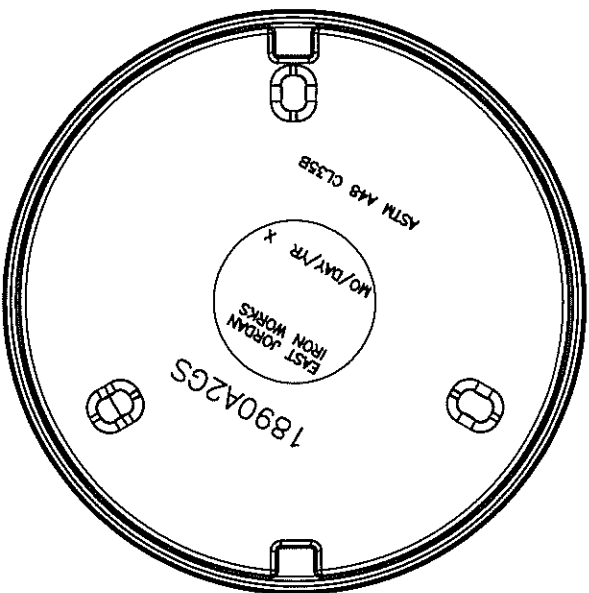
MATERIAL SPECIFICATION  
COVER - GRAY IRON  
ASTM A48 CL35B

OPEN AREA  
N/A

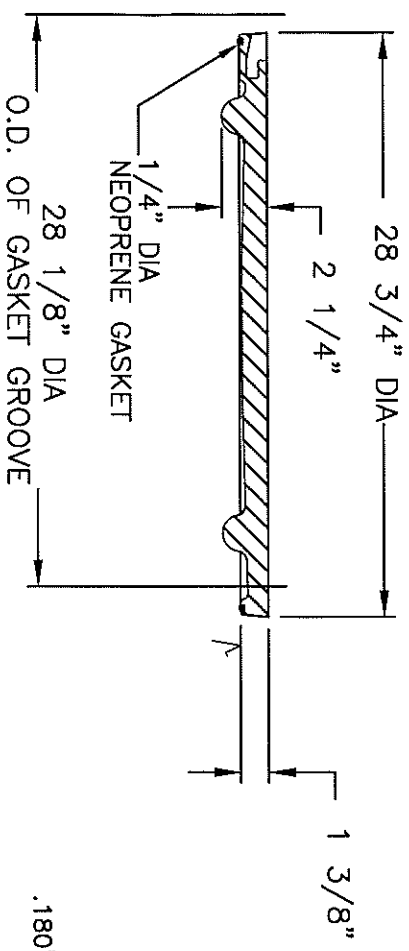
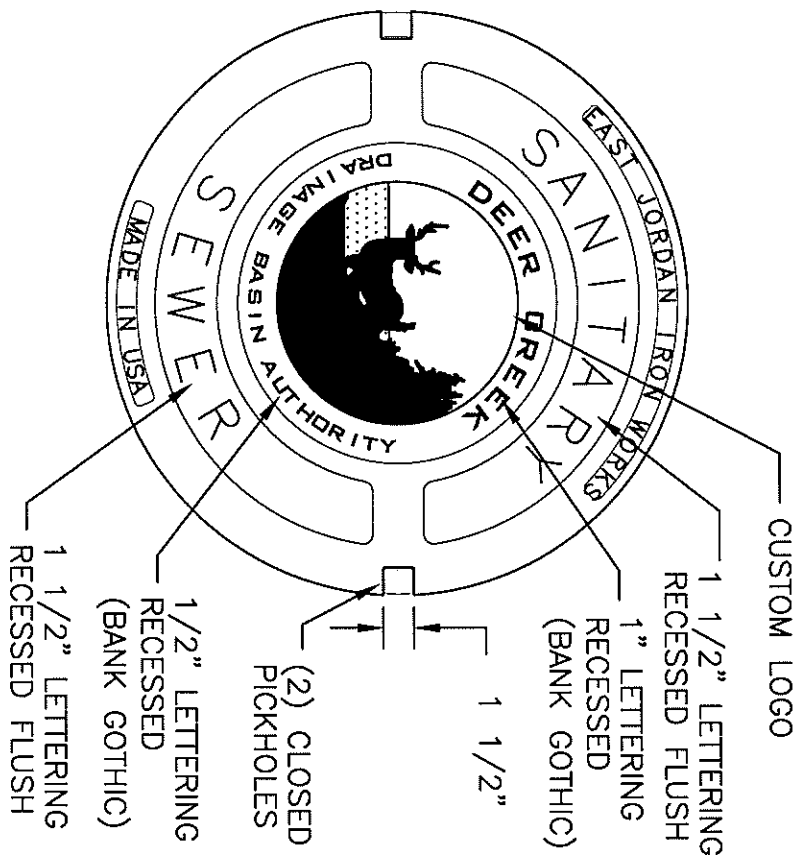
\*DESIGNATES MACHINE SURFACE

DRAWN	DATE
GAD	10/20/08
LAST REVISED	DATE

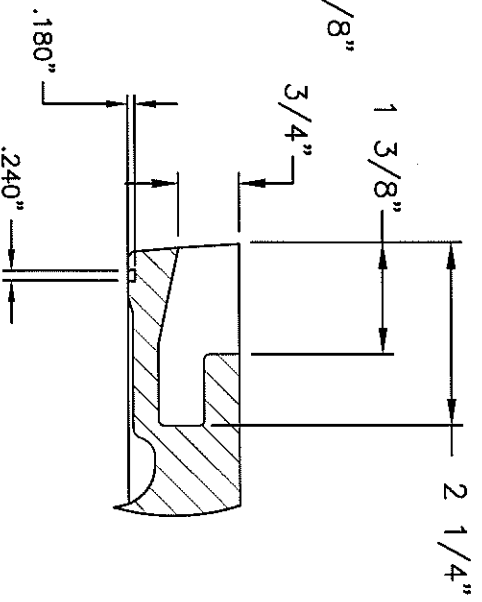
REFERENCE INFORMATION



BOTTOM VIEW  
OF COVER



COVER SECTION



PICKHOLE & GASKET  
GROOVE DETAIL

CONFIDENTIAL: This drawing is the property of East Jordan Iron Works, Inc. and embodies confidential information, trade secret information, and/or know how that is the property of East Jordan Iron Works, Inc. © Copyright 2006 East Jordan Iron Works, Inc.